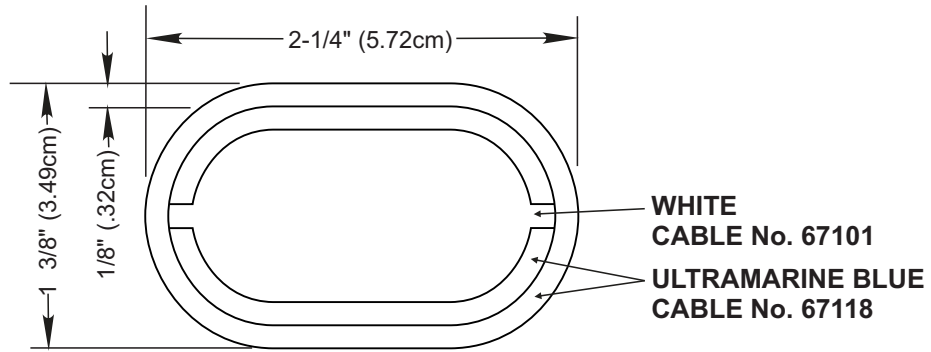


**REVISIONS**

LTR	DESCRIPTION	DATE	APPROVED
-----	-------------	------	----------



**DESIGNED FOR OVEREDGE STITCHING**

UNLESS OTHERWISE SPECIFIED DIMENSIONS ARE IN INCHES  
TOLERANCES ON FRACTIONS DECIMALS ANGLES

EXAMINED		
CHECKED		
PREPARED	<b>CLH</b>	
APPROVED		

CHARLES V. MUGNO  
DIRECTOR

THE INSTITUTE OF HERALDRY, DEPARTMENT OF THE ARMY  
9325 GUNSTON RD, RM S-113 FORT BELVOIR, VA 22060-5579

BACKGROUND TRIMMING FOR  
**1ST BN. 26TH INFANTRY REGT.**

SIZE <b>A</b>	CONTROL IDENT. NO <b>22571</b>	<b>A-6-322</b>
------------------	-----------------------------------	----------------

SCALE FULL DATE **15 OCTOBER 2014**